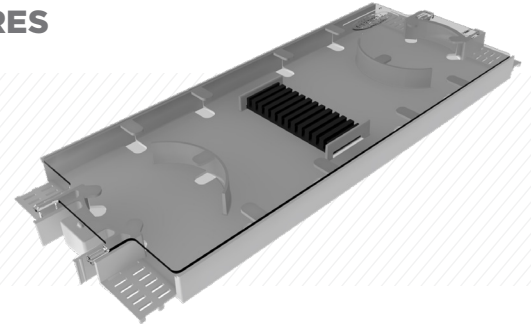


# HUBBELL® PLASTIC SPLICE TRAYS

## FOR USE WITH HUBBELL FIBER OPTIC SPLICE CLOSURES

### FEATURES AND BENEFITS

- Tray - ABS w/ integrated fiber routing and chip retention tabs
- Lid - Clear Polystyrene
- Splice Chips - EPDM w/ high performance tape



Catalog Number	Description & Kit Contents	
PSCSTPS24	Plastic Splice Tray w/ 24 Single-Fiber Splice Capacity, Standard Size: Tray, Lid, two 12 Position Single Fiber Splice Chips, Zip Ties and Felt	
PSCSTPS24T	Plastic Splice Tray w/ 24 Single-Fiber Splice Capacity, Standard Size Tall: Tray, Lid, one 12 Position Single Fiber Double-stack Splice Chip, Zip Ties and Felt	
PSCSTPS48	Plastic Splice Tray w/ 48 Single-Fiber Splice Capacity, Wide Size: Tray, Lid, four 12 Position Single Fiber Splice Chips, Zip Ties and Felt	
PSCSTPS72	Plastic Splice Tray w/ 72 Single-Fiber Splice Capacity, Wide Size: Tray, Lid, three 12 Position Single Fiber Double-stack Splice Chips, Zip Ties and Felt	
PSCSTPR144	Plastic Splice Tray w/ 144 Mass Fusion Splice Capacity, Standard Size: Tray, Lid, one 12 Position Mass Fusion Splice Chip, Zip Ties and Felt	
PSCSTPR288	Plastic Splice Tray w/ 288 Mass Fusion Splice Capacity, Wide Size: Tray, Lid, two 12 Position Mass Fusion Splice Chips, Zip Ties and Felt	
PSCSTPTT	Plastic Splice Transition Tray Standard Size: Tray and Lid	
PSCSTPTTW	Plastic Splice Transition Tray Wide Size: Tray and Lid	

